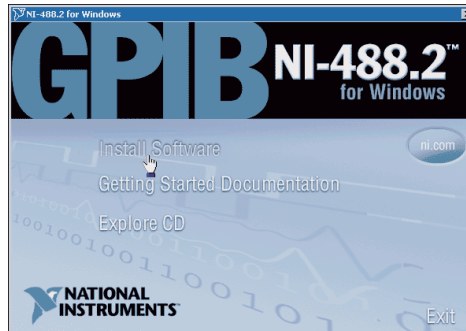
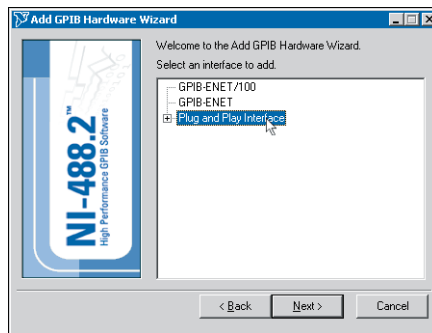


Getting Started

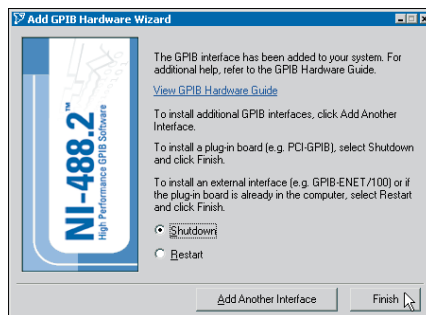
- 1 Insert CD, then choose **Install Software**.



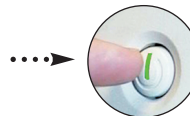
- 2 Select **Plug and Play Interface** and click **Next**.



- 3 Select **Shutdown** and click **Finish**, then power off computer.



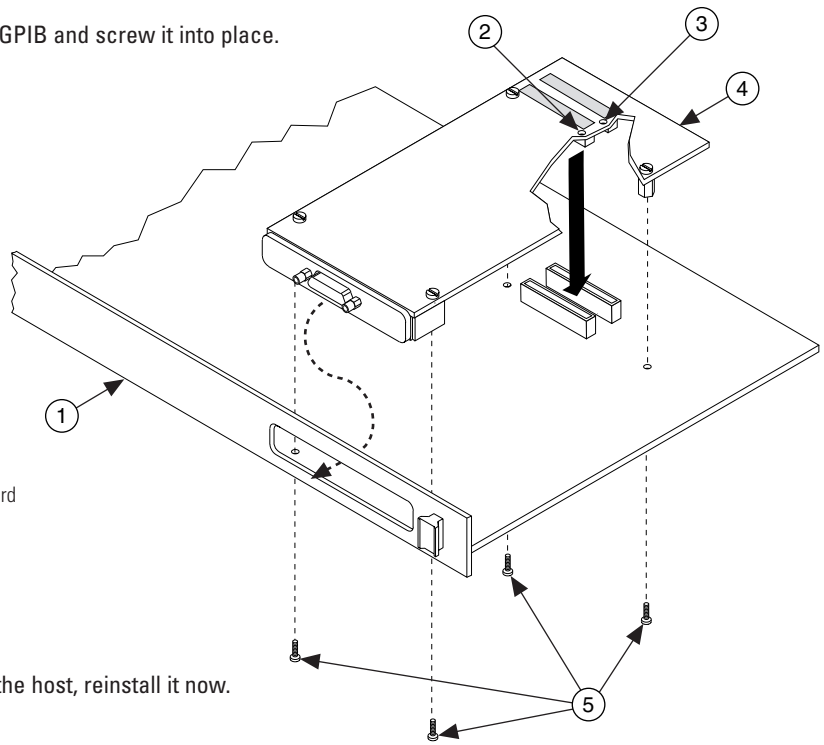
Power off computer



Continue to step 4 ▶

4 Install hardware ¹.

- A. Select an unused PMC slot. You may need to remove the host to access a PMC slot.
- B. Insert the PMC-GPIB and screw it into place.



Key

- 1 Host Face Plate Board
- 2 3.3 V Keying Hole
- 3 5 V Keying Hole
- 4 PMC-GPIB Board
- 5 Mounting Screws

- C. If you removed the host, reinstall it now.

5 Power on computer, then run NI-488.2 Getting Started Wizard.



¹For help installing your hardware, refer to the *GPIB Hardware Guide* (available on the CD through **Getting Started Documentation**).

